

# PARTS LIST

GK761PL

## CONTENTS

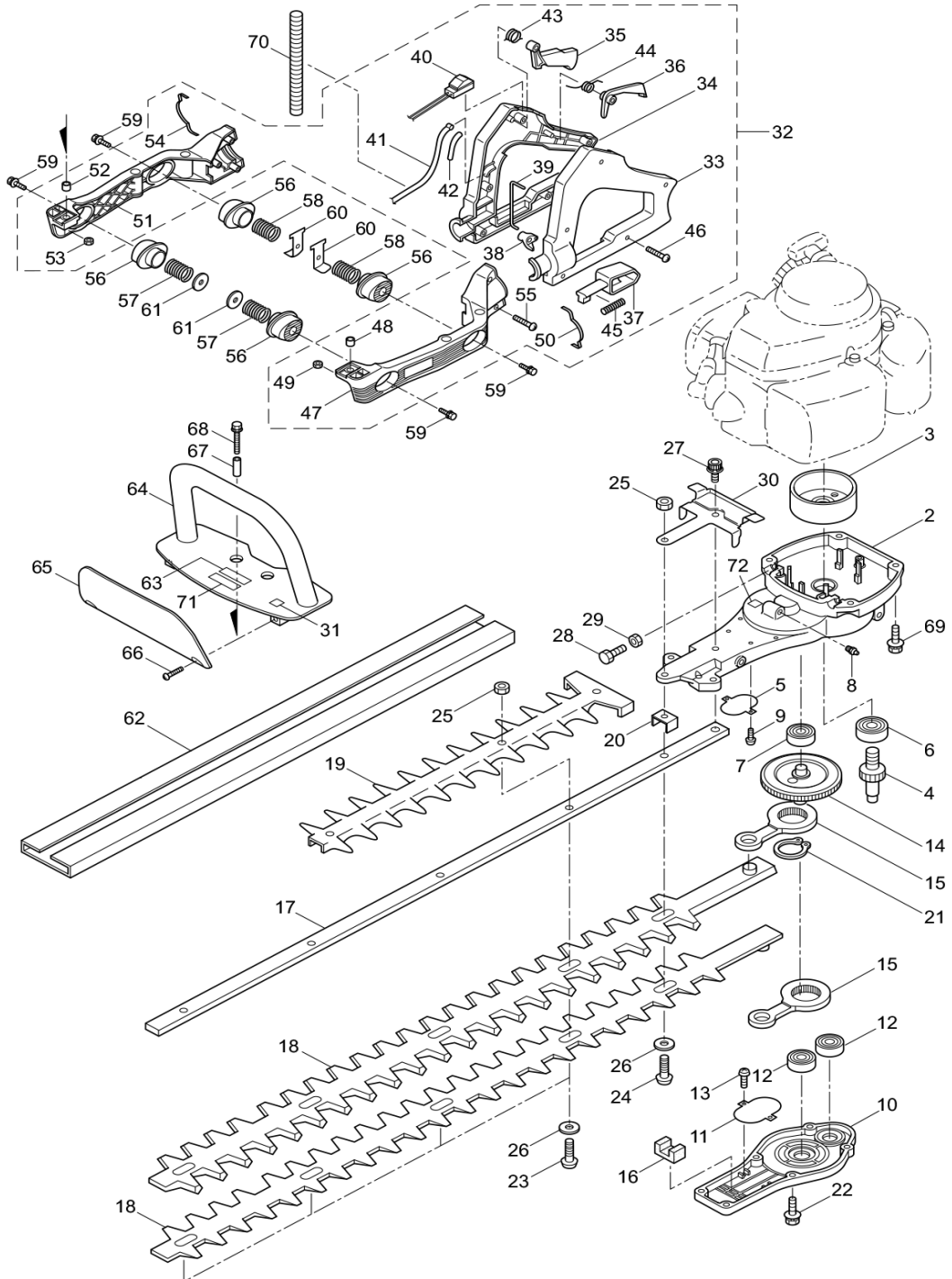
1. MAIN BODY .....	1 ~ 4
2. ACCESSORIES .....	5 ~ 6
3. ENGINE .....	7 ~ 10
4. CARBURETOR, RECOIL STARTER .....	11 ~ 12

2014. 02.



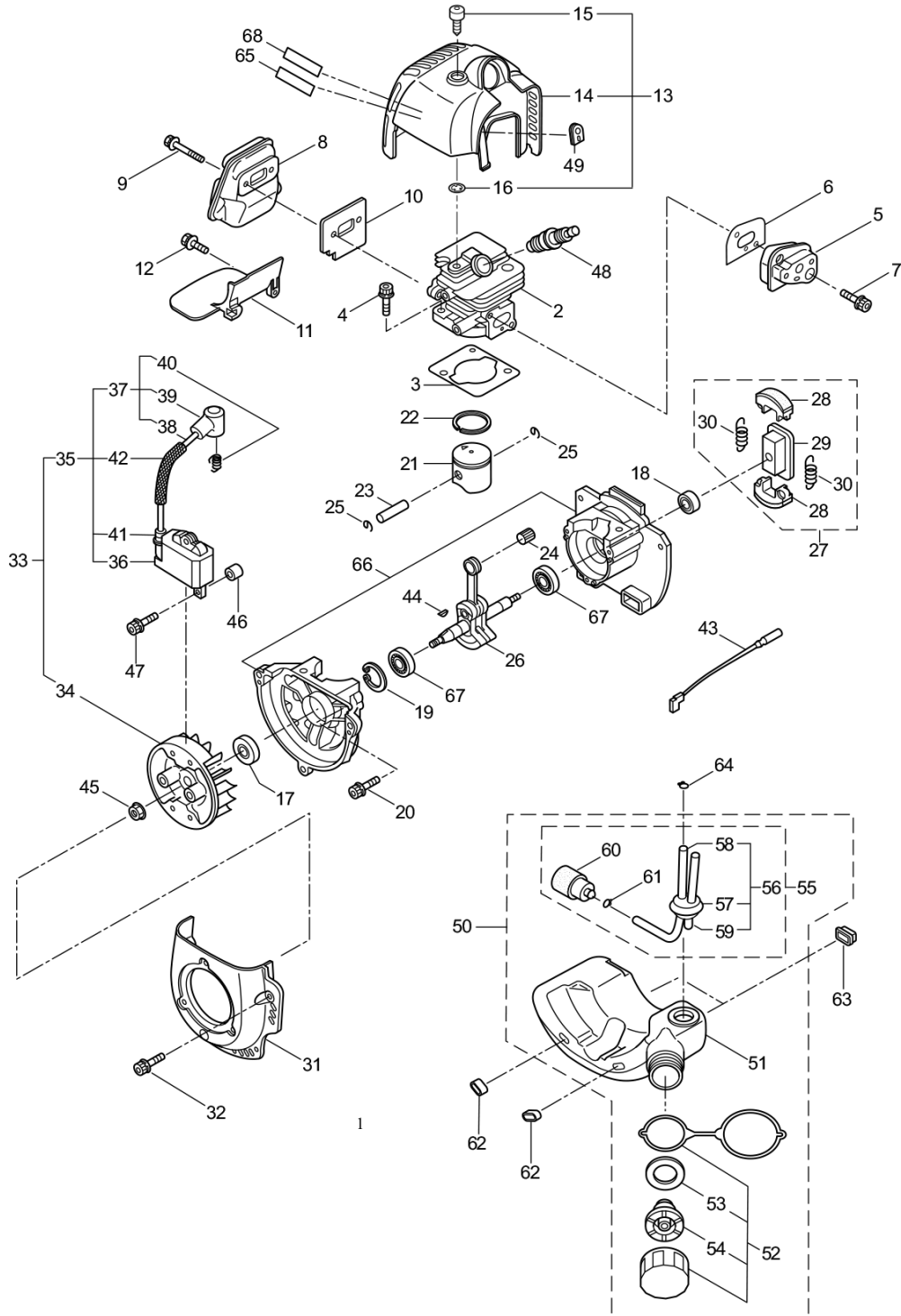
P/N 523746

1. GK761PL  
MAIN BODY



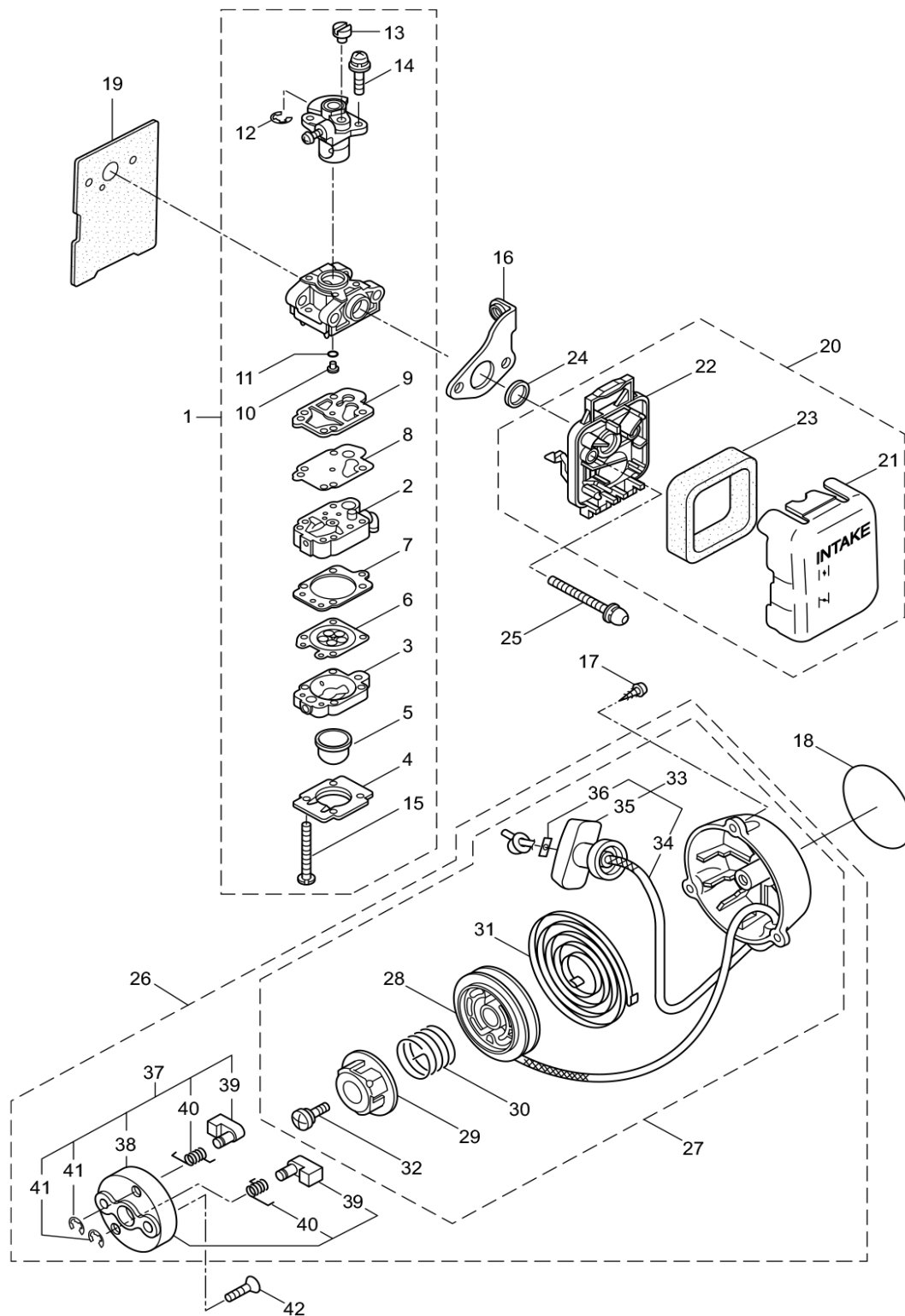
Status	Position	Parts Number	Parts Name	Unit Quantity	Set Unit Quantity	Specification	Remarks	Maker code
	1	362383	GK761PL	1				
	2	271472	UPPER CASE	1		TE5-A005000		
	3	270021	CLUTCH DRUM	1		136-145		
	4	271473	PINION GEAR	1		TE1-A050000		
	5	271474	PLATE	1		TE1-A045000		
	6	580767	BEARING 6001 2RS	1		K354-060010	#6001 2RS	K354-060010
	7	270423	BEARING 608ZZ	1		K353-006080		
	8	991937	GREASE NIPPLE	1		A-MT6X1ｶﾞﾀ	M6	
	9	991924	SCREW M3X5	2	10	K010-030050 M3	M3x5	900-040
	10	271475	LOWER CASE	1		TE5-A006000		
	11	271474	PLATE	1		TE1-A045000		
	12	270423	BEARING 608ZZ	2		K353-006080		
	13	991924	SCREW M3X5	2	10	K010-030050 M3	M3x5	900-040
	14	271465	CRANK COMPLETE	1		TE1-A043000		
	15	271466	ROD	2		TE1-A044000		
	16	270567	FELT	1		A286-112004		
	17	271470	GUIDE PLATE	1		TE1-A056000		
	18	271471	BLADE	2		TE4-A330700		
	19	270371	BLADE GUARD W	1		TE1-A131000		
	20	270757	PLATE	1		A325-103004		
	21	580777	SNAP RING	1	5	K283-026000	#26	K283-026000
	22	580791	HEXAGON HEAD BOLT	6	5	K054-050160 M5	M5x16	K054-050160
	23	991914	SCREW	4		A040-002009 L19		008-247
	24	271229	SCREW	1		G040-005000		
	25	991941	U-NUT	5	5	M6 6ｶﾞｸ 1ｼﾏ	M6	
	26	991913	WASHER	5	10	008-250		008-250
	27	272280	SCREW	1		K073-050146		
	28	271230	SCREW	2		K010-050100 M5		
	29	271231	SCREW	2		K150-050000		
	30	271469	FRONT STOPPER	1		TE1-A059000		
	31	283526	LABEL	1		ﾊﾞｰﾝｼﾞｮﾝ108		
	32	271454	HANDLE ASSY	1		TE2-5020000	Incl.33-55	
	33	271278	REAR HANDLE L	1		TE2-1015010		
	34	271279	REAR HANDLE R	1		TE2-1015020		
	35	271280	THROTTLE LEVER	1		TE2-1010030		
	36	271281	STOP LEVER	1		TE2-1010040		
	37	271282	LOCK LEVER	1		TE2-1007050		
	38	271283	LEVER STOPPER	1		TE2-1013020		
	39	271284	ROD	1		TE2-1007060		
	40	271285	SWITCH	1		G014-222004		
	41	271398	CABLE COMP.	1				
	42	271287	SPACER	1		TE2-1013010		
	43	271288	SPRING	1		G003-000030		
	44	271289	SPRING	1		G003-000040		
	45	270400	SPRING	1		A002-050004		
	46	271276	SCREW	5		K110-401602		
	47	271482	FRAME L	1		TE2-5021010		
	48	271483	SPACER	1		K232-060080		
	49	991941	U-NUT	1	5	M6 6ｶﾞｸ 1ｼﾏ	M6	
	50	271484	LINE SEAL	1		G052-000990		
	51	271485	FRAME R	1		TE2-5022010		
	52	271483	SPACER	1		K232-060080		
	53	991941	U-NUT	1	5	M6 6ｶﾞｸ 1ｼﾏ	M6	
	54	271484	LINE SEAL	1		G052-000990		
	55	271276	SCREW	3		K110-401602		
	56	271455	DAMPER	4		TE2-5013000		
	57	271456	SPRING	2		G002-000230		
	58	271457	SPRING	2		G002-000240		
	59	271458	SCREW	4		K055-05016W		
	60	271459	REAR STOPPER	2		TE1-A058000		
	61	271460	WASHER	2		G018-000160		
	62	270071	BLADE COVER(DL)	1		A028-002029		
	63	270566	LABEL	1		A052-246004		
	64	271476	FRONT HANDLE	1		TE2-3006010		
	65	271477	PROTECTOR	1		TE2-3003020		
	66	271478	SCREW	2		K113-401602		
	67	271479	SPACER	2		K232-060250		
	68	271462	SCREW	2		K055-060420		
	69	271425	SCREW	4		K056-050160		
	70	271221	TUBE	1		A013-070110		
	71	266957	LABEL	1		CEﾏｰｸ		
	72	266960	LABEL	1		ﾎｯﾄｺｰｼﾞｮﾝ		

### 3. GK761PL ENGINE



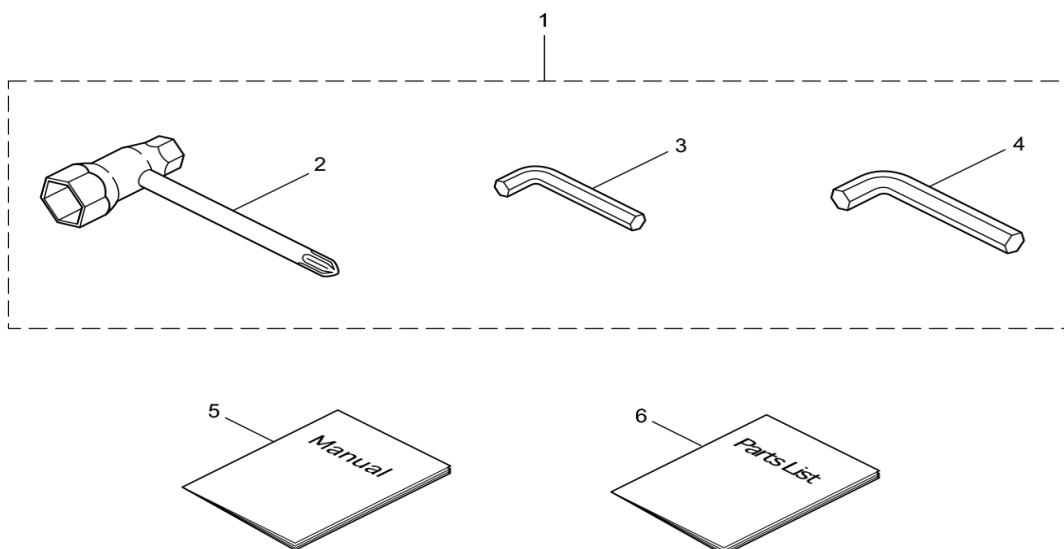
Status	Position	Parts Number	Parts Name	Unit Quantity	Set Unit Quantity	Specification	Remarks	Maker code
	1	859547		1		GK761PL	HE230/28	
	2	283149	CYLINDER	1				
	3	283177	GASKET	1				
	4	267290	CAP SCREW	2	5	M5X20WSW+オ	M5x20	
	5	265802	INSULATOR	1			New gasket required	
	6	267049	GASKET	1	5			
	7	265924	CAP SCREW	2	5	M5X25WSW+オ	M5x25	
	8	283166	MUFFLER COMPLETE	1		ヘツジ ヨウ		
	9	264223	CAP SCREW M5X40	2	5	M5X407	M5x40	
	10	283176	GASKET	1				
	11	283175	UNDER COVER	1		クハ		
	12	261607	CAP SCREW	1	5	M5X16WSW	M5x16	
	13	286388	TOP COVER	1			Incl.14-16	
	14	283161	TOP COVER	1		アハ		
	15	286399	BOLT	1		M5 ミト' リメツク	M5	
	16	286270	WASHER	1		M5	M5	
	17	262712	OIL SEAL	1		TC10267 ゲ' リス'イリ	TC10267	
	18	262713	OIL SEAL	1		TC10207 ゲ' リス'イリ	TC10207	
	19	054676	RING SNAP	1	5	ア'ナヨウ26	#26	
	20	261246	CAP SCREW	3	5	M5X25	M5x25	
	21	283265	PISTON	1		ア'クハ		
	22	263789	PISTON RING	1		ア'イコ'ビ' ストン		
	23	281185	PISTON PIN	1		5.9X8X25.5L		
	24	261037	BEARING NEEDLE KBK8X11X11.8X1	1		KBK8X11X11.8X1	KBK8x11x11.8x1	
	25	261576	CLIP PISTON	2				
	26	283155	CRANKSHAFT COMPLETE	1				
	27	280404	CLUTCH ASSY	1		ヘツジ' 54ヨウク'ラツチ	Incl.28-30	
	28	280568	CLUTCH SHOE	2			(2)required	
	29	280569	CLUTCH BOSS	1				
	30	280570	SPRING	2			(2)required	
	31	283160	FAN COVER	1		ア'ハ		
	32	261250	CAP SCREW	3	5	M5X20	M5x20	
	33	283163	ROTOR ASSY	1		ウ'オル'ブ' ロー	Incl.34-42	
	34	283164	ROTOR	1		FW-62		
	35	283165	IGNITION COIL ASSY	1		MH-1A	Incl.36-42	
	36	283267	COIL	1		181-694		
	37	283268	CORD ASSY	1		94-1059	Incl.38-40	
	38	283269	CORD	1		94-997		
	39	283178	PLUG CAP	1		141-509		
	40	272805	CONNECTOR	1		ES-23261		
	41	283271	CAP	1		31-71		
	42	283272	TIBE	1		17-534		
	43	269722	LEAD	1		165B'ハ'ウ'HCBH		
	44	261076	WOODRUFF KEY 3X10	1	5	A'シ' 3X10	3x10	
	45	261077	NUT	1	5	M6	M6	
	46	280381	SPACER	2	5			
	47	281211	CAP SCREW M4X20	2	5	M4X20WSW	M4x20	
	48	262483	SPARK PLUG NGK BPMR6Y	1		NGK BPMR6Y	NGK BPMR6Y	
	49	283140	GROMMET	1				
	50	283437	TANK ASSY	1		A45B55C160D85	Incl.51-61	
	51	283162	FUEL TANK	1		400CC		
	52	283438	TANK CAP ASSY	1			Incl.53,54	
	53	283727	PACKING	1	5	タンクキ'ャ'ツ' ヨウ		
	54	283764	BREATHER ASSY	1		HE'ヨウ		
	55	265752	FUEL PIPE	1			Incl.56-61	
	56	264031	FUEL PIPE ASSY	1			Incl.57-59	
	57	261115	GROMMET	1				
	58	261690	FUEL PIPE	1		3X5X160L(ク'ハ)	160L	
	59	263038	RETURN PIPE	1		3X6X85(キ)	3x6x85L	
	60	264653	FILTER ASSY	1		125-935		
	61	261117	CLIP	1				
	62	264318	PAD	2				
	63	261118	PAD	2				
	64	261117	CLIP	1				
	65	266959	LABEL	1		CE'コ'ー'シ'ヨ'ウ	Caution	
	66	283150	CRANKCASE	1		HE230		
	67	261181	BEARING 6000C3	2		6000C3	#6000C3	
	68	273272	LABEL	1		48 GKZ		

4. GK761PL  
 CARBURETOR, RECOIL STARTER



Status	Position	Parts Number	Parts Name	Unit Quantity	Set Unit Quantity	Specification	Remarks	Maker code
	1	283436	CARBURETOR ASSY	1		WYL-243B	Incl.2-15 New gasket	
	2	268499	CARBURETOR BODY	1		WB5-2771		
	3	262991	PURGE BODY	1		WB5-2557		
	4	262992	COVER	1		WB21-3147		
	5	261874	PRIMER	1		WB188-12		
	6	283905	DIAPHRAGM METERRING	1		WB95-614		
	7	262993	GASKET	1		WB92-359		
	8	262994	DIAPHRAGM	1		WB95-99		
	9	282576	GASKET	1		WB92-415		
	10	289621	JET	1		WB112-3070-365L		
	11	261871	O-RING	1		WB16-104		
	12	261876	RING	1		WB16-71		
	13	261658	SWIVEL	1		WB52-34		
	14	264682	SCREW	2		WB96-364		
	15	262996	SCREW	4	5	WB96-425		
	16	268535	STAY	1				
	17	280144	TAPPING SCREW	3	5	トワズコ1M4X16		
	18	274138		1		GKZ/GK761PL	GK761PL	
	19	283181	GASKET	1				
	20	264708	CLEANER ASSY	1		CAA-31(1.5)	Incl.21-23	
	21	264709	AIR CLEANER COVER	1		AIR FILTER		
	22	264693	HOUSING	1		WB181-629		
	23	264695	FILTER	1		WB125-62		
	24	268963	GASKET	1	5	19.4X14.8XT3.0	19.4x14.8xt3.5	
	25	269834	SCREW	2	5	M5X60WSW+		
	26	283171	RECOIL STARTER ASSY	1			Incl.27-41	
	27	283172	STARTER ASSY	1			Incl.28-36	
	28	286363	REEL	1		A54108140000		
	29	286364	CAM PLATE	1		A54308140400		
	30	283290	DAMPER SPRING	1				
	31	280931	SPIRAL SPRING	1				
	32	267213	SCREW	1		A607 012 000 80		
	33	283291	ROPE ASSY	1			Incl.34-36	
	34	283292	STARTER ROPE	1				
	35	261725	STARTER GRIP	1				
	36	283293	ROPE STOPPER	1				
	37	283173	STARTER PULLEY	1			Incl.38-41	
	38	283294	STARTER PULLEY	1				
	39	280936	RACHET	2				
	40	283295	RETURN SPRING	2				
	41	020299	E-RING #4	2	10	E 4	#4	
	42	264535	SCREW	2	5	M6X20#7	M6x20	

2. GK761PL  
ACCESSORIES



Status	Position	Parts Number	Parts Name	Unit Quantity	Set Unit Quantity	Specification	Remarks	Maker code
	1	264606	TOOL SET	1			Incl.2-4	
×	2	264607	PLUG WRENCH	1			10x19x(+)	
	3	219431	SPANNER	1		ニツヅク 3	3mm	
	4	219432	WRENCH	1		ニツヅク 4	4mm	
	5	274123		1		GK601/661/761PL		
	6	523746		1		GK761PL	GK761PL	